

# LEISURETIME POOL PUMP

GREAT VALUE PUMP IDEAL FOR SMALL TO MEDIUM POOLS

The range of LeisureTime pool pumps have been purposefully designed to provide maximum performance and corrosion resistance. Robust and designed for Australia's harsh conditions, LeisureTime pumps offer exceptional value.





## FEATURED HIGHLIGHTS:

- New high-strength composite pump casing.
- Self-aligning barrel unions.
- Efficient, heavy-duty motor.
- Elevated motor foot.
- Marine-grade, stainless steel shaft and epoxy-coated end-shield for maximum corrosion protection.
- Large hair and lint pot with transparent lid and self-lubricating o-ring.
- 2 year warranty.\*

\*Terms & conditions apply.

## OPERATING CONDITIONS

Water temperature range:	5°C-40°C
Ambient temperature:	55°C maximum

## MOTOR

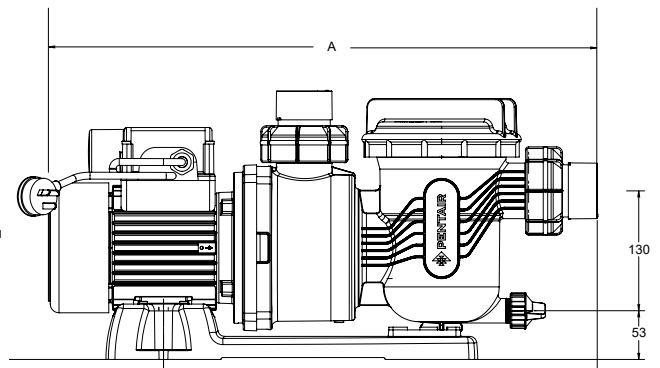
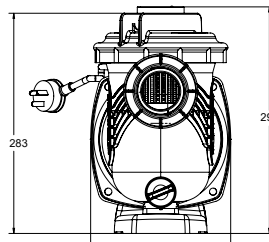
Type:	TEFC 2 pole
IP rating:	IPX5
Winding class:	Class F, internal thermal overload
Voltage (VAC):	230-240, 50Hz
Bearing type:	Deep groove ball bearing with double contact lip seal, 150 °C

## MATERIALS

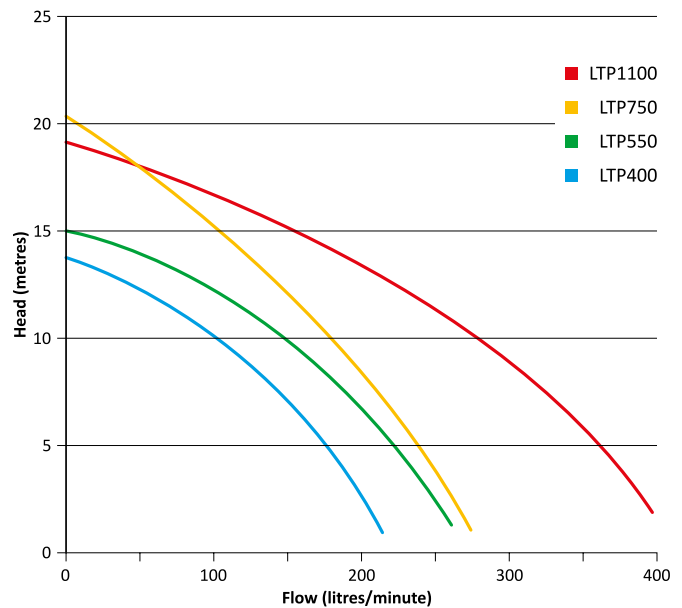
Component	Material
Pump casing:	Fibre Reinforced Polypropylene
Pump components:	Glass Filled ABS
Basket:	HD polyethylene
Shaft sleeve:	Nylon
Motor shaft:	316 stainless steel
End shield:	Epoxy-coated cast iron
O-rings:	Low friction nitrile
Barrel unions:	40mm socket, 50mm spigot (ABS)
Hair and lint pot lid:	Polycarbonate
Mechanical seal:	Carbon-ceramic, nitrile, 304 stainless steel

## DIMENSIONS

Pump Model	LTP400	LTP550	LTP750	LTP1100
A (mm)	526	535	535	583



## PERFORMANCE CHART AND DIMENSIONS



## MODEL DATA

Part	Model	Voltage (VAC)	Full Load (A)	Power Input (P1,W)	Power Output (P2,W)	Nominal Power (hp)	Locked Rotor Current (A)	Capacitor (uF)	dBA	Carton Dim(mm).	Carton Weight (Kg.)
LTP400	LeisureTime 400	230-240	2.7	585	400	0.5	10	12	60	610x320x200	11
LTP550	LeisureTime 550	230-240	3.5	785	550	0.75	17	20	59	610x320x200	14
LTP750	LeisureTime 750	230-240	4.3	930	700	1.0	17	20	64	610x320x200	14
LTP1100	LeisureTime 1100	230-240	5.4	1200	900	1.25	21	25	65	610x320x200	15



1-21 Monash Drive | Dandenong South, VIC 3175 | Australia | 1300 137 344 | pentairpool.com.au

Unless otherwise indicated, copyright in the content of this document is the property of Pentair Aquatic Systems Australia under Australian copyright law. Content may not be reproduced or transmitted without our prior written permission.

© 2022 Pentair Water Australia. All rights reserved. This document is subject to change without notice.